



Main Features:-

- ◆ Stainless Steel 2pc
- ◆ Stainless Steel Ball & Stem
- ◆ BSPP Threaded Female Ends
- ◆ Maximum Pressure 3000 PSI
- ◆ -10C to +180C Temperature Rating

*Temperature and pressure determined by valve body, seat etc.



Suitable Applications & Approvals:



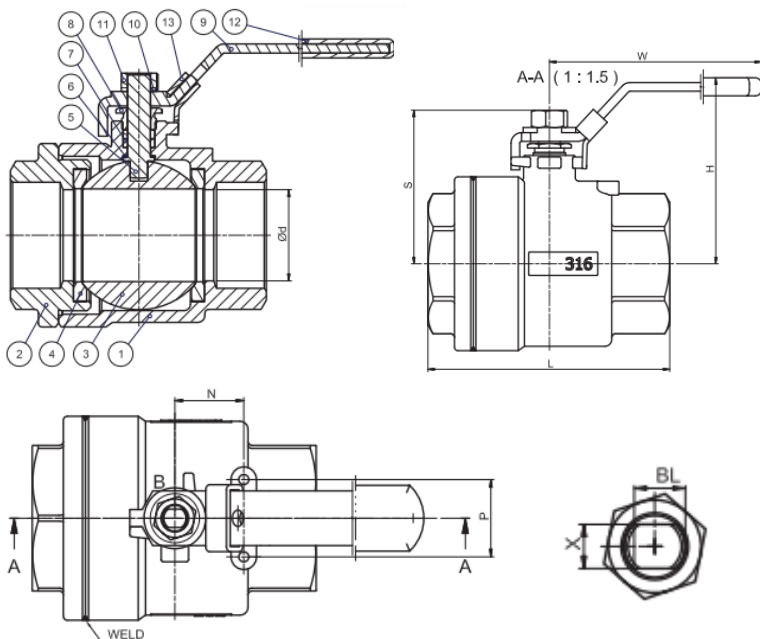
SERIES: 10107

MANUFACTURER: **AVOL**
INDUSTRIAL VALVES

SIZE	CODE	D	L	H	W	S	P	X	BL	CV	Nm	Kg
1/4"	10107-02	11.6	60.5	58	95	42.4	28.5	5	5/16"	6.6	4.6	0.31
3/8"	10107-03	12.5	60.5	58	95	42.4	28.5	5	5/16"	7.9	4.6	0.31
1/2"	10107-04	15	62.5	58	95	42.5	28.5	5	5/16"	11.2	5.4	0.34
3/4"	10107-05	20	77	62.5	110	52.3	34.8	6.5	3/8"	21	7.8	0.62
1"	10107-06	25	90	77	135	63.1	34.8	8	7/16"	35	10.6	0.78
1 1/4"	10107-07	32	103	82	158	67.7	38.1	8	7/16"	57	50	1.35
1 1/2"	10107-08	38	120	98.5	253	78.9	38.1	9	1/2"	80	68	1.91
2"	10107-09	50	140	107.5	253	87.7	38.1	9	1/2"	150	80	2.8

VALVE DIMENSIONS

DIMENSIONAL DRAWING OF VALVE



MATERIALS OF CONSTRUCTION

1. BODY	A351 CF8M SS
2. CAP	A351 CF8M SS
3. BALL	A351 CF8M SS
4. BALL SEAT	RPTFE 1/4" to 1 1/4" PCTFE 1 1/2" to 2"
6. STEM	316 STAINLESS
7. THRUST WASHER	RPTFE
8. STEM PACKING	RPTFE
10. LEVER	430 STAINLESS

T +44 (0)1386 552369

W www.allvalves.co.uk

E sales@allvalves.co.uk

F +44 (0)1386 554227